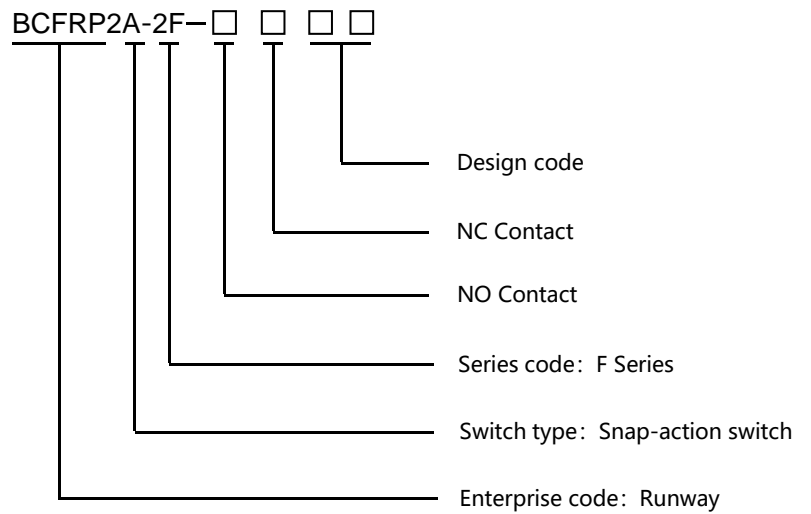


BCFRP2A-2F SERIES

SNAP-ACTION SWITCH



Meaning of the Symbol



For example, BCFRP2A-2F-1101 means BCFRP2A-2F series snap-action switches, 1NO contacts and 1 NC contacts, 01 serial number.

General Instruction

BCFRP2A-2F series snap-action switches are reinforced to protect against damage. Contacts are designed to make and break current rapidly. Even if the contacts are used for limit device and mechanical detecting instrument with slower actuating speed, a higher load capacity can be guaranteed for the switches. Self-cleaning contacts are employed in BCFRP2A-2F series snap-action switches. They protect the switches from dust, moisture and contaminants and make the switches highly reliable and sensitive. The switches are compact in structure and mounted in various ways, and suitable for automatic control, interlock and other low-voltage and current signal control as well. All surfaces of the conductive parts in BCFRP2A-2F series snap-action switches are plated with pure silver so that the switches have secure current making and high carrying-current capacity.

Service Condition

1. The ambient air temperature shall be in the range -55°C to $+85^{\circ}\text{C}$.
2. The altitude does not exceed 5000 m.
3. Humidity --- The average value of the relative humidity measured over a period of 24h does not exceed 95%. --- The average value of the water vapor pressure over a period of 24h does not exceed 2.2 Kpa. — The average value of the relative humidity over a period of one month does not exceed 90%. — The average value of the water vapor pressure over a period of one month does not exceed 1.8 Kpa.
4. Vibration acceleration shall not be more than 15m/s.
5. Ambient air shall not be significantly polluted by dust, smoke, corrosive and combustible gas.

Installation and Operation

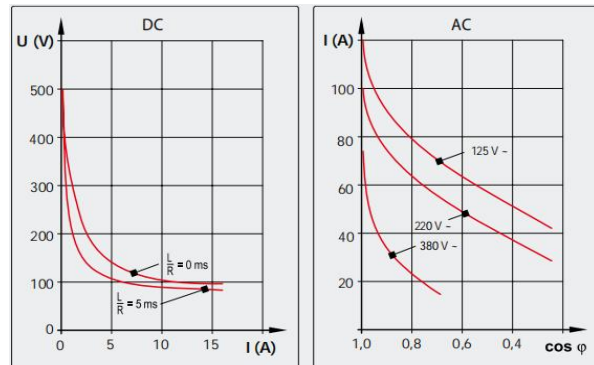
For overall dimensions, see the outline drawing. The maximum torque for tightening screws shall not exceed 1N.m to retain the switch parts in position. All dimensions and positions of equipment parts to be fitted with switch shall conform with those of the switch. An insulating barrier with fire retardancy and adequate strength shall be added between the equipment and the switch if the side of equipment part to be mounted is non-insulating material.

Ordering Information

Specify product name, model, quantity and any special requirements which are required by the purchaser while ordering.

Technical Parameters

Conventional thermal current	25A
Protection	IP00
Withstand voltage	2500V(50Hz)/1min
Life cycle	1,000,000 times



Construction Drawing

BCFRP2A-2F-0101

