

# BCRP98-Z100T

DC Contactor

**Shen Yang 213 Control Electrics Co.,Ltd**

The best value comes from the integrity of  
Successful & working perfectly.

---



## BCRP98-Z100T DC Contactor

For railway: BCRP98-Z100T

Compact design DC contactor, small size, it has better DC switching capacity which can up to 1500V.

This DC contactor is commonly used in rail transit DC systems. The product can adapt to the harsh environment and has provided reliable help for rail transportation.

### Features

- The product is small in size, compact in structure and strong in shock resistance.
- The main contact is made of strong material, wear-resistant, good conductivity, and has a high mechanical and electrical life.
- Permanent magnet arc extinguishing technology can quickly and completely extinguish the arc.
- The multi-fracture design of the main contact can greatly guarantee the stability of the product.
- Variety of product control voltages, either DC control or AC control

### Application

This product is widely used in high-speed rail, subway, intercity railway 1500V DC power distribution system, on-board charger, air-conditioning inverter power supply, emergency power supply, engineering vehicle power supply control, petrochemical field, ship electric propulsion system, power battery, energy storage converter and a series of DC occasions.

### Executive Standards

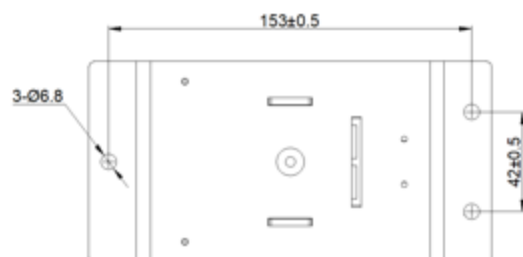
- IEC60947-1:Low-voltage switchgear and controlgear—Part1:General rules
- IEC 60947-4-1:Low-voltage switchgear and controlgear—Part4-1:Contactors and motor-starters—Electromechanical contactors and motor-starters(Including motor protector)
- GB/T 21413.1 Railway applications - Electrical equipment for rolling stock - Part 1: General conditions of use and general rules.
- GB/T 21413.2 Railway applications - Electrical equipment for rolling stock - Part 2: Electrotechnical devices - General rules.



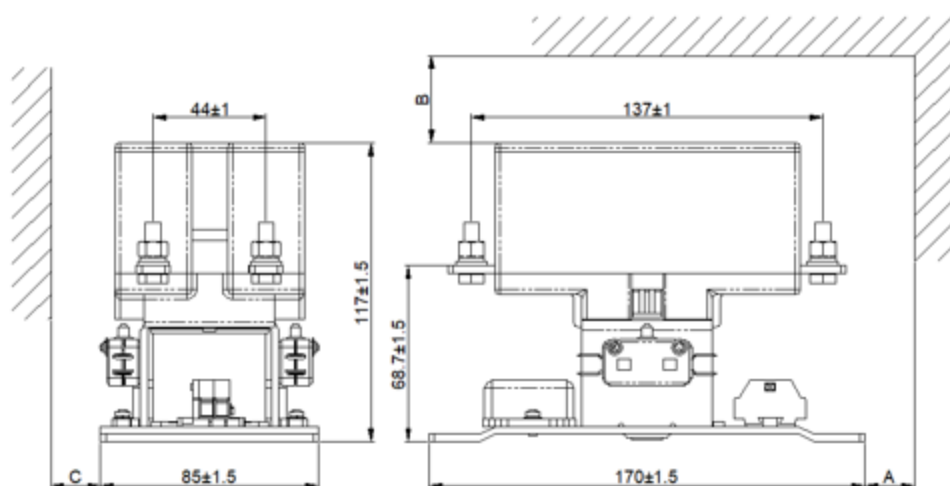
### B CRP 98 - Z 100T 20 22 DC24V

- ① B: Enterprise Code SYIC
- ② CRP: Contactor
- ③ 98: Design code
- ④ Z: Main contact-DC
- ⑤ 100T: Special for railway
- ⑥ 20: Main contacts: 2NO+0NC
- ⑦ 22: Auxiliary contacts: 2NO+2NC
- ⑧ DC24V: Coil control voltage (See parameter table for details)

### Circuit Diagram:



### Dimension:



Separation distance ( see table )	A	B	C
$P < \text{Rated power}$	10mm	10mm	10mm
$P \geq \text{Rated power}$	10mm	30mm	20mm

### Parameters

### BCRP98-Z100T

Voltage type	DC
Main contact configuration	2×SPST-NO <sup>(1)</sup>
Nominal voltage $U_n$	1500V
Rated insulation voltage $U_i$	3000V
Rated impulse withstand voltage $U_{imp}$	20KV
Pollution level	PD3
Over-voltage category	OV3
Conventional thermal current $I_{th}$	120A
Making ability	1000A
Breaking ability	L/R ≤ 1ms: 100A
	L/R < 15ms: 54A
Main contact: material	AgSnO <sub>2</sub>
Main contact: terminal block	M6
Auxiliary contact: use category	AC-15: 1.5A at 250V AC; DC-13: 0.4A at 250V DC or 1.5A at 48V DC

Auxiliary contact configuration	2×(1NO+1NC) <sup>(2)</sup>
Auxiliary contact: terminal block	Quick connection 6.3×0.8mm
Rated control power supply voltage $U_c$	24/80/110/220VDC
Rated control power supply voltage range	70% ~ 125% DC80V (52-94V)
Coil power consumption	Starting 30W ; Holding 15W
Control circuit: terminal block	0.8 ~ 2.5mm <sup>2</sup> hard wiring <sup>(3)</sup>
Protection level	IP00
Mechanical endurance	5,000,000 times
Electrical endurance	500,000 times <sup>(4)</sup>
Vibration	7.5g/5ms
Load factor	100%
Mounting method	Vertical ; No upside down
Ambient temperature for use	-50°C ~ 70°C
Ambient temperature for storage	-50°C ~ 80°C
Weight	1.6kg

(1): Double normally open main contact, which can be customized as single normally open main contact according to customer needs.

(2): Double pole double throw.

(3): WAGO261-301 is selected as the coil terminal.

(4): The auxiliary contact adopts Shanghai Feili LXW40-11, the electrical life of the auxiliary contact is  $\geq 100,000$  times, and it should be replaced in time according to the actual use.



## Electrical Components for Rail Transit System and other Industrial System

### Contactor

- Single-pole and multi-pole DC contactors
- High voltage AC/DC contactor
- Battery powered vehicles and power sources
- Railway application contactor
- DC emergency disconnect switch
- Special contactors meet various customer requirements

### Circuit Breaker

- AC/DC applications.
- Modular and easy-to-install internal fittings with different functions.
- Miniature/miniature circuit breakers, molded case circuit breakers.
- Have a variety of protection functions, including long-delay, instantaneous, short-delay and ground fault (including zero-sequence current and residual current protection) protection.

### Fuse

- Open, semi-closed, tubular and jet fuses
- Simple structure, convenient use and low price
- High voltage fuse and low voltage fuse
- Good current limiting characteristics and excellent breaking capacity

### Connector

- Apply to industry standards
- The connector is suitable for the special requirements of communication engineering (MIL connector) for battery-powered machines
- Charging connectors and systems for railway engineering
- Connectors, including UIC connectors