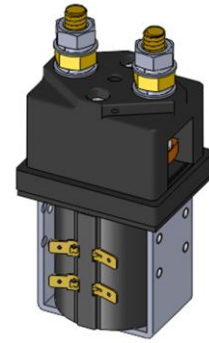


FEATURES

- 400A Contact Switching capability
- Application: For Electric Control System Of Communication Power Supply、Engineering Machine、Electro motion Forklift、Motor Car、Train、Watercraft and UPS etc.
- Certificate: UL
- ROHS

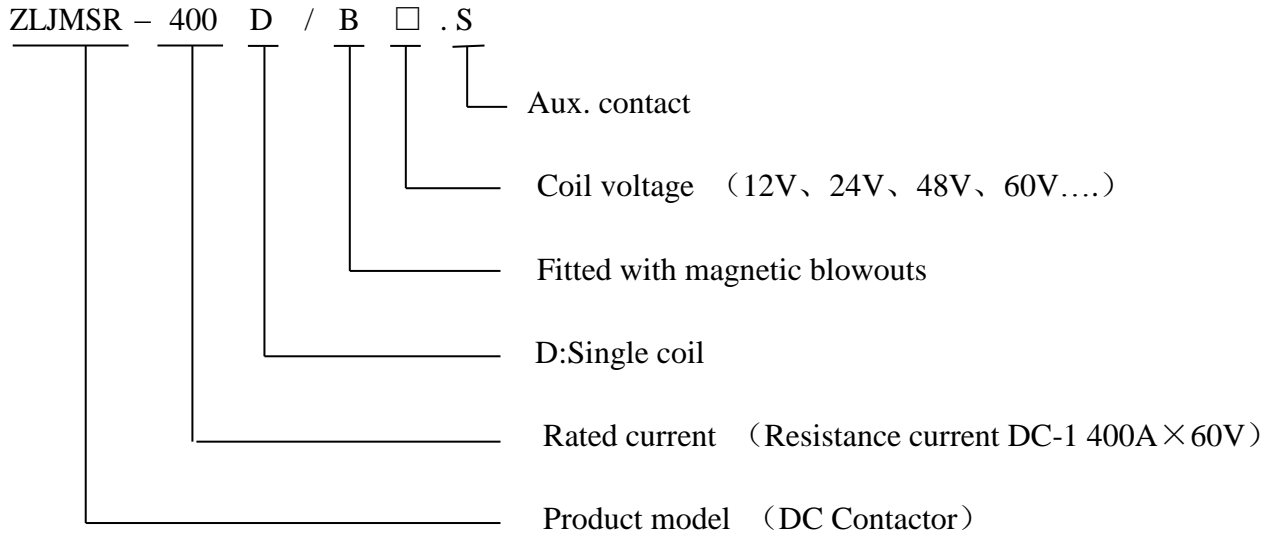

Contactor Data

Model No.	ZLJMSR-400D	ZLJMSR-400D/B
Contact Form	1H (SPST-NO)	
Contact Material	Ag Alloy	
Contact Rating(at Resistive Load)	400A×60V DC	400A×120V DC
Contact Voltage Drop	400A@80mV Max.	
Insulation Resistance	Min. 100MΩ at 500VDC	
Dielectric Strength (Between Insulated Electric Parts)	1000VAC 50 Hz/60 Hz (1 minute)	
Pick up time	Max. 30mSec.	
Drop out time	Max. 30mSec.	
Ambient Temperature	-25℃~+60℃	
Storage Temperature	-40℃~+65℃	
Relative Humidity	+20%~+90% RH	
Shocking of fixed point	(10~200)Hz、Acceleration≤3.5g	
Shocking	(60~100)Ops./min、Acceleration≤4g	
Mechanical Life Time	100,000 Operations (no load)	
Electrical Life Time	6,000 Operations (at rated load)	
Auxiliary contact switching capacities(Resistive load)	5A/24V DC; 2A/ 48VDC	
Auxiliary contact switching capacities(Min. load)	100mA/5V	
Pollution Level	III	
Working Duty	Continuous	

Coil Data

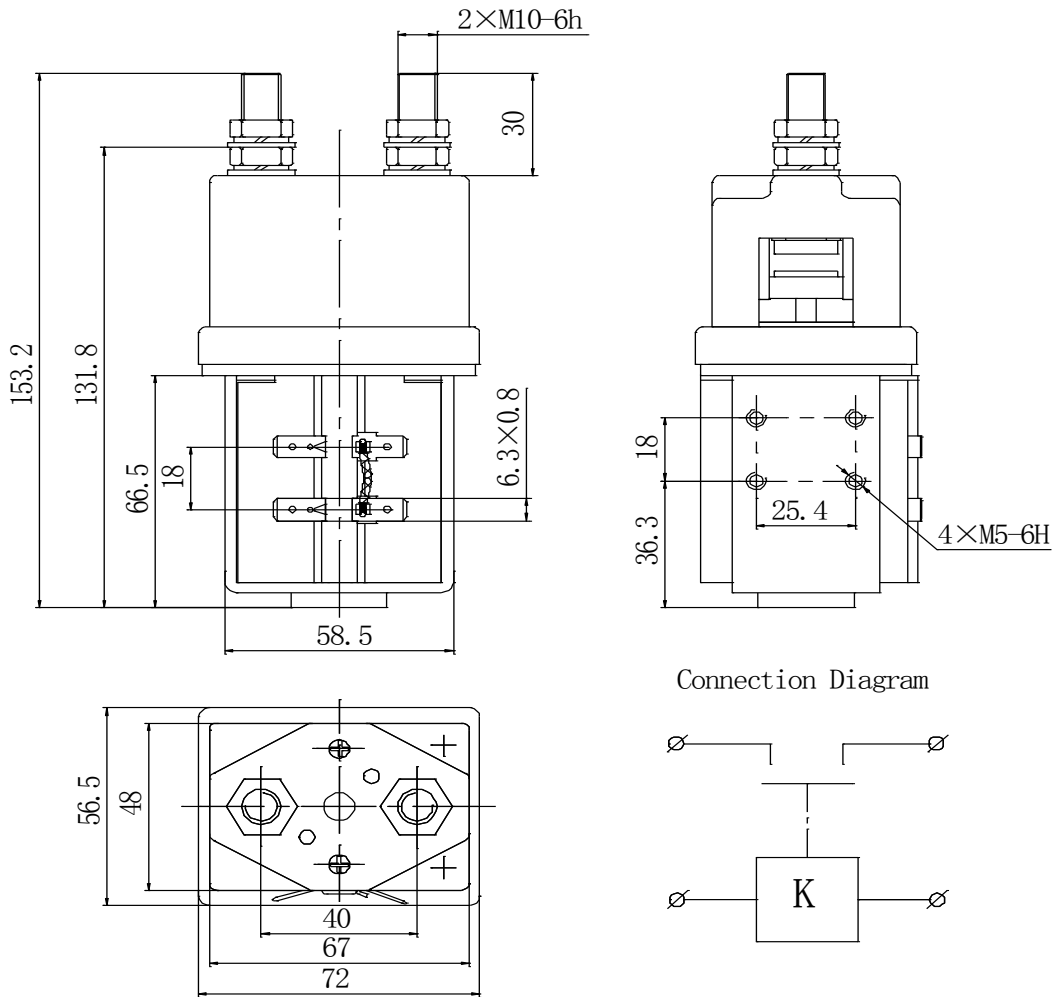
Model No.	Coil voltage	Coil Working voltage	Pick-up Voltage	Drop-out Voltage	Coil Holding Current	Coil power dissipation
ZLJMSR-400D	12	0.85U _s ~1.1U _s	≤70%	≥10%	≤1.5	15~25
	24				≤0.7	
	30				≤0.6	
	36				≤0.5	
	48				≤0.35	
	60				≤0.3	
	72				≤0.25	
	80				≤0.2	
	96				≤0.2	
	120				≤0.15	

■ Product Model

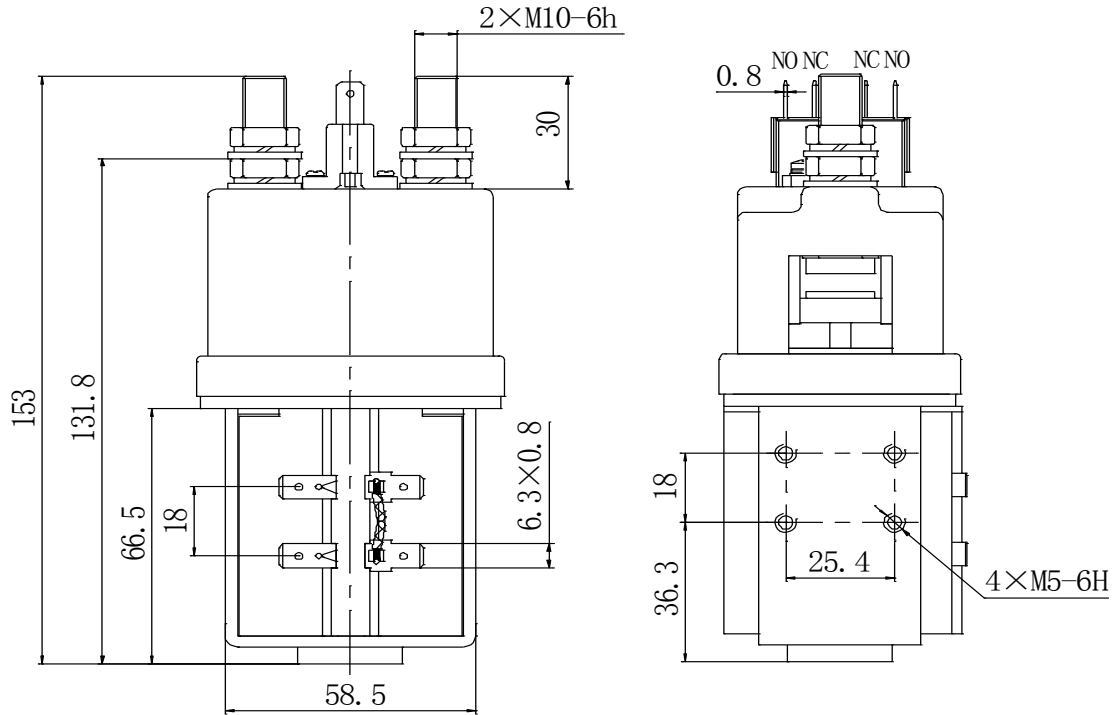


Example: ZLJMSR-400D/48.S; said: Normally open DC Contactor, 400A for DC-1 load rated current, coil voltage 48VDC and accessory Aux. contact.

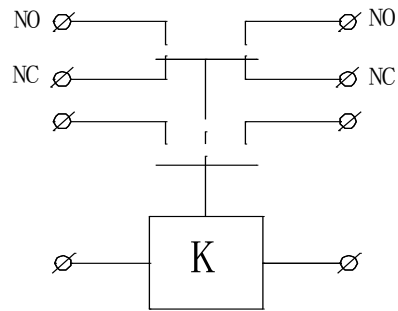
■ Shape installation and circuit diagram ZLJMSR-400D/□



ZLJMSR-400D / □. S



Connection Diagram



Dimension (mm)	Tolerance grade not noted (mm)
0~30	±0.3
30~60	±0.5
60~100	±1
>100	±2

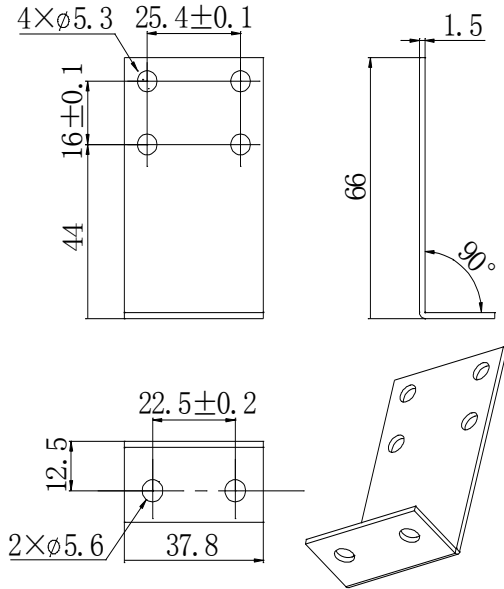
■ Accessory

1. Coil suppression

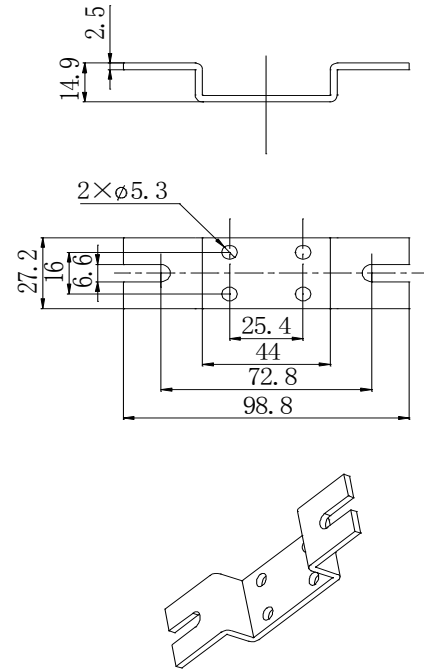
	Name	Suffix
Coil suppression	Diode	E

2. Mounting bracket

“L” Shape mounting bracket



“W”Shape mounting bracket



Notes: 1. Accessories for the product function; example: ZLJMSR-400D/□(1L) expressed as increase the “L” Shape mounting bracket 1pc.

2. Additional product model in parentheses are not shown on the nameplate.

3. Add function code in alphabetical order.

■ Remarks

1. While assemble contactor, tighten torque of nut of terminal screw in main circuit is 10~13N.m.
2. Driving circuit power for coil must be no less than coil power; otherwise, it will reduce cutting capacity of product.
3. Continuous applied voltage should not exceed the maximum permission voltage. Otherwise, abnormal heating of coil will shorten the life of insulating coating.
4. This contactor is non-waterproof, please don't use in water, solvent, oil and other environment that may contact with the shell or terminal. Otherwise, it may cause abnormal heating due to the burn-in of shell or corrosion, dirty of terminal.